

# IP Compact PTZ Camera

3MPx Resolution



## Overview

The TruVision® 3MPx IP Compact PTZ camera from Aritech delivers the benefits of a PTZ solution while offering high definition image capture. This PTZ camera has advanced technology and can be installed in a wide range of applications and environmental conditions.

With features such as True Day/Night surveillance and Wide Dynamic Range (WDR) imaging on select models, these cameras provide optimal image quality in a variety of indoor or outdoor environments.

The IP Compact PTZ camera is available in a variety of mounting form factors, depending on the model. The camera is fully programmable, with up to 300 presets along with 8 patrol tours (32 presets per tour).

A 8-zone privacy mask feature allows these cameras to block out sensitive areas, such as fitting rooms or restricted areas. In addition, the variety of intelligence features adds substantial value and enhanced performance to any video system.

## Standard Features

### Video

- 3MPx resolution
- H.265 / H.264 compression technology
- Triple streaming
- ONVIF® Profile (S) (G) / PSIA / GCGI

### Video Enhancement

- True day/night functionality
- IR illumination, range varies depending on model

### PTZ

- 20X optical, 16X digital
- 360° rotation

### Intelligence for all models

- Intrusion detection
- Cross line detection
- Audio exception detection
- Privacy mask (8 zones)

### Intelligence for select models

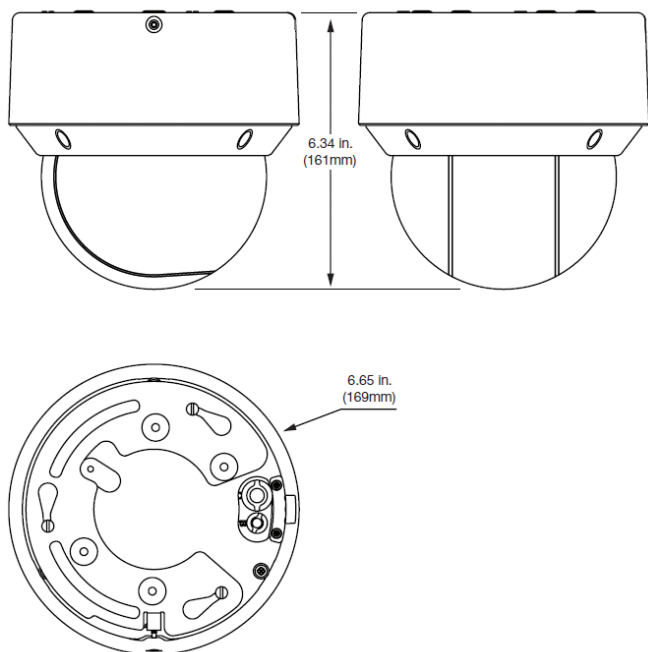
- Face detection
- Region entrance/exit detection
- Intelligent tracking

### Environmental and Warranty

- IP66 environmental rating (on select models)
- 3 year warranty

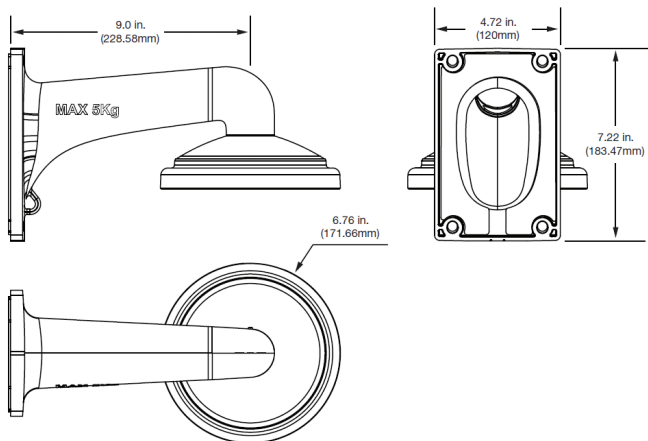
## Dimensional Diagrams

**TVP-5103** TruVision IP Compact PTZ,  
20X Optical Zoom

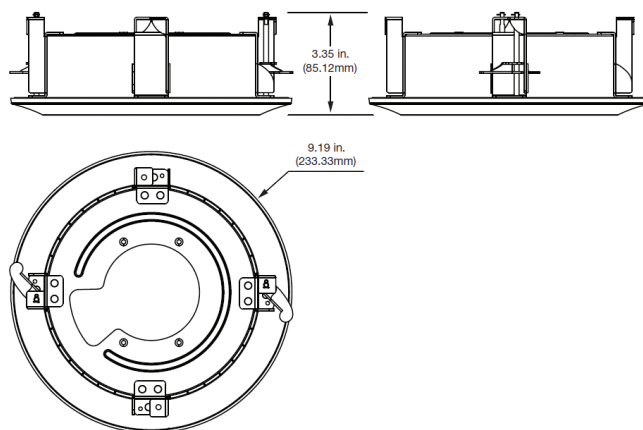


## Accessories

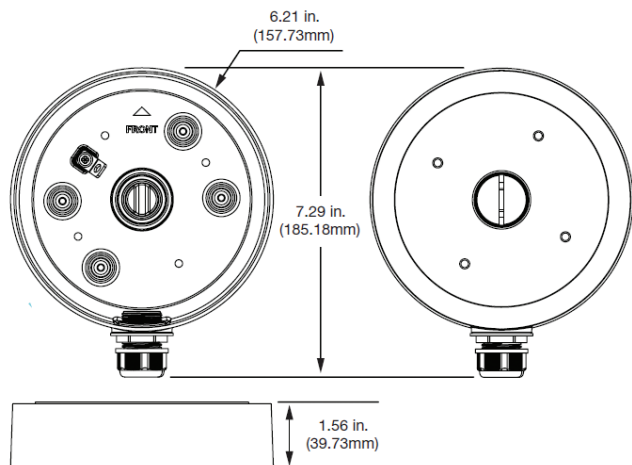
**TVP-CCBWM** TruVision Compact  
Cup Base PTZ Wall Mount



**TVP-CFM** TruVision Compact PTZ Flush Mount



**TVP-CBB** TruVision Compact PTZ Back Box



# IP Compact PTZ Camera

National Sales Enquiries  
1300 361 479

10 Ferntree Place  
Notting Hill, Victoria 3168  
T: +61 3 9239 1200  
W: www.interlogix.com.au

## Specifications

Camera	Sensor Size	1/2.8" Progressive Scan CMOS
	Resolution	3MPx
	Compression/Standard	H.265 / H.264 / MJPEG H.265 and H.264 encoding with Baseline / Main / High profile
	Maximum Resolution (@ FPS)	2048 x 1536
	Multiple Streaming	Triple Stream
	Main Stream	50Hz: 25fps (2048 x 1536, 1920 x 1080, 1280 x 960, 1280 x 720) 60Hz: 30fps (2048 x 1536, 1920 x 1080, 1280 x 960, 1280 x 720)
	Sub Stream	50Hz: 25fps (704 x 576, 640 x 480, 352 x 288) 60Hz: 30fps (704 x 480, 640 x 480, 352 x 240)
	3rd Stream	50Hz: 25fps (1920 x 1080, 1280 x 960, 1280 x 720, 704 x 576, 640 x 480, 352 x 288) 60Hz: 30fps (1920 x 1080, 1280 x 960, 1280 x 720, 704 x 480, 640 x 480, 352 x 240)
	Day/Night	True D/N
	Wide Dynamic Range	120 dB
	Digital Noise Reduction	3D DNR
	Digital S/N Ratio	>50 dB (AGC Off)
	Electronic Shutter	50Hz: 1 to 1/30,000s; 60Hz: 1 to 1/30,000s
	Minimum Illumination	Color: 0.05 lux @ f1.6, AGC On; B&W: 0.01 lux
	IR Range	164 ft. (50m) Automatically adjusted depending on zoom ratio
	IR Wavelength	850nm
	Lens	4.7 to 94mm (f1.6 to f3.5)
	Zoom Range	20X Optical (16X Digital)
	Pan Range and Speed	Range: 360° endless; Manual Speed: 0.1° to 300°/sec; Preset Speed: 350°/sec
	Tilt Range and Speed	Range: -5° to 90°; Manual Speed: 0.1° to 160°/sec; Preset Speed: 200°/sec
	Image Flip	Auto Flip
	Video Output	N/A
	Presets	300
	Patrol	8 patrols, up to 32 presets per patrol
	Pattern	4 patterns, with the recording time not less than 10 minutes per platform
	Privacy Mask	8 privacy masks programmable; optional multiple colors and mosaics

Network	Network Protocols	HTTP, HTTPS, FTP, SMTP, UPnP, SNMP, DNS, DDNS, NTP, RTSP, RTP, TCP, UDP, IGMP, DHCP, PPPoE
	Ethernet/IP	802.1x, Qos, IPv4 / IPv6
Local Storage	Media	Micro SD/SDHC/SDXC slot (card not included)
	Capacity	Up to 128GB
Alarms & Audio	Intelligence	Intrusion detection, Cross line detection, Audio exception detection, Face detection, Region entrance detection, Region exiting detection, Intelligent tracking
	I/O	2 inputs / 2 outputs
	Audio	1 Mic in / Line in interface, line input: 2-2.4V[p-p]; output impedance: 1KΩ, ±10% 1 Audio output interface, line level, impedance: 600Ω
Audio Compression	Audio Compression	G.711ulaw / G.711alaw / G.726 / MP2L2 / G.722 / PCM
	Standard	ONVIF® (Profile S, Profile G), PSIA, CGI, ISAPI
Electrical & Mechanical	Voltage Input	12VDC, Power Supply included. Power/line cord is not included.
	PoE	PoE+
	Current	Max. 2.3A
	Power Consumption	18W
	Dimensions	6.65 x 6.34 in. (169 x 161mm)
	Weight	5.40 lbs. (2.45kg)
Environmental	Operating Temperature	-22°F to 149°F (-30° to 65°C), Humidity 90% or less (non-condensing)
	Environmental Rating	IP66
	Vandal Rating	N/A
Regulatory	Certification	FCC, CE, UL, REACH, RoHS, WEEE, RCM

## Ordering Information

TVP-5103	TruVision 3MPx, Compact IP PTZ, 20X Optical Zoom, H.265, H.264, Outdoor, Surface Mount, True D/N, WDR, 50m IR, Audio, Alarm, Micro SD/SDHC/SDXC Slot, PoE+/12VDC, IP66
----------	--

## Accessories

TVP-CCBWM	TruVision Compact Cup Base PTZ Wall Mount
TVP-CFM	TruVision Compact PTZ Flush Mount
TVP-CBB	TruVision Compact Back Box